

MEC-LAN-P004

PCI-e 4 port 10/100/1000 Ethernet card with PoE+ Module



- Quad-Lane (x4) PCI-Express with throughput up to 5.0/2.5Gbps
- Fully compliant with PCI-Express Base Specification Rev. 2.0
- Integrated 10/100/1000Mbps transceiver
- Support four isolated GbE LAN ports
- Four independent PSE channels
- Support Wake-on-LAN
- Complies with IEEE 802.3at
- Support power input 12V ~ 24V from 6pin PCIE-ATX
- Complies with EN61000-4-2(ESD) Air-15kV, Contact-8kV
- Complies with EN61000-4-4(EFT) 2kV
- Complies with EN61000-4-5 2kV Surge protection



Overview

MEC-LAN-P004 is a quad isolated GbE LAN module for embedded PC. The card follows the PCI-e standard which is compliant with PCI Express x 4 classification. This board fits in any host computer that has PCI-e card slots. MEC-LAN-P004 is a highly cost-effective solution to expand Gigabit network for your computer. External Power over Ethernet Plus (PoE+) module ensures reliable power and data transfer and supplies more power than standard PoE.

Top Performance

MEC-LAN-P004 has four Ethernet ports that support auto-negotiation 10/100/1000Mbps Ethernet connection with IEEE 802.3x flow control.

Intel Ethernet Chipset

MEC-LAN-P004 uses high performance, efficiency, and stability Intel I210 Gigabit Ethernet Controller.

High Usability

MEC-LAN-P004 is designed with flexibilities for many different application and accessories (heat sink, bracket) are included in the standard package.

Specifications

General

PCI-Express Revision:

PCI-Express Base Specification Rev. 2.0

PCI-Express Electromechanical Revision:

PCI-Express Base Specification Rev. 2.0

Form Factor

Standard PCI-Express GEN2x4

Interface (Connector)

Ethernet 10/100/1000: 4 (RJ45)

Hardware

Controllers: Intel I210 x 4

Bus: Quad-Lane (x4) PCI-Express with throughput up to 5.0/2.5GT/s

Technology

Standard: • IEEE 802.3 for 10BaseT

- IEEE 802.3u for 100BaseT(X)
- IEEE 802.3ab for 1000BaseT(X)
- IEEE 802.3z for 1000BaseX
- IEEE 802.3af
- IEEE 802.3at

Flow Control: IEEE 802.3x flow control

Wake on LAN: Yes

Isolated GbE LAN port: Yes

Isolated PoE+: No

Driver Support

Operating Systems: Win 7, Win 8, Win 10

Dimensions

Width x Length (mm): 168.00 x 111.00

Power Requirement

Power Consumption: 1273mA@3.3

PoE+: Maximum 5A @ 12V w/PCIe slot

(Max. 50W PoE+ power w/PCIe slot)

Maximum 11A @ 12V w/6 pin PCIe-ATX

(Max. 120W PoE+ power w/PCIe-ATX power, supporting each port up to 25.5W)

Environmental Limits

Operating Temperature: 0°C ~ 70°C

Storage Temperature: -40°C ~ 125°C

Humidity: 5% ~ 95%

Regulatory Approvals

EMC: CE, FCC

EMI: EN 55032, EN61000-3-2, EN61000-3-3, FCC Part 15 Subpart B Class B

EMS: EN 55024, IEC 61000-4-2, IEC 61000-4-3, IEC 61000-4-4, IEC 61000-4-5, IEC 61000-4-6, IEC 61000-4-8, IEC 61000-4-11

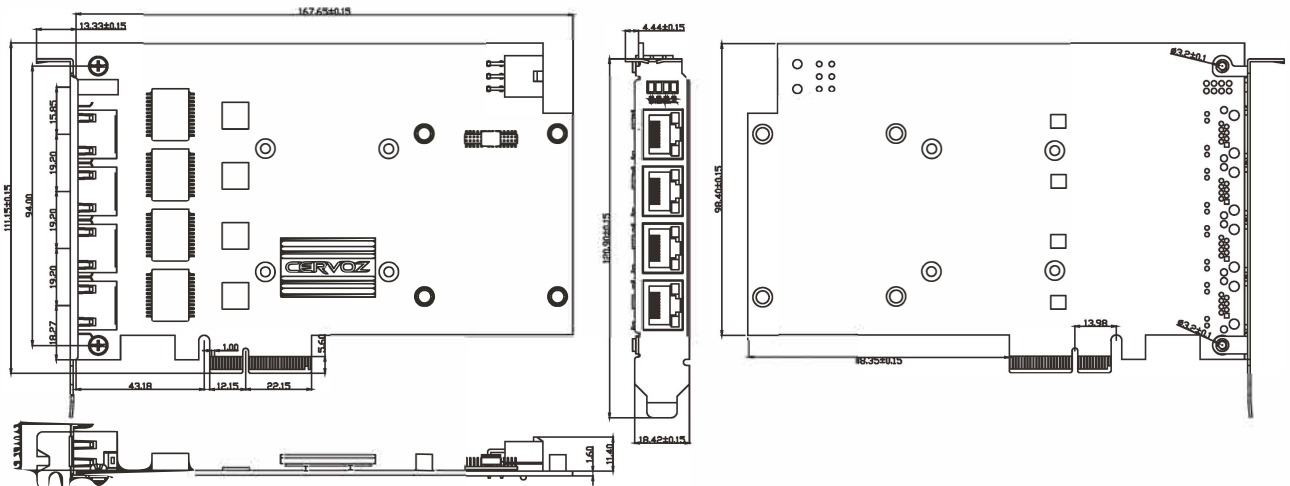
Reliability

Warranty: 3 years

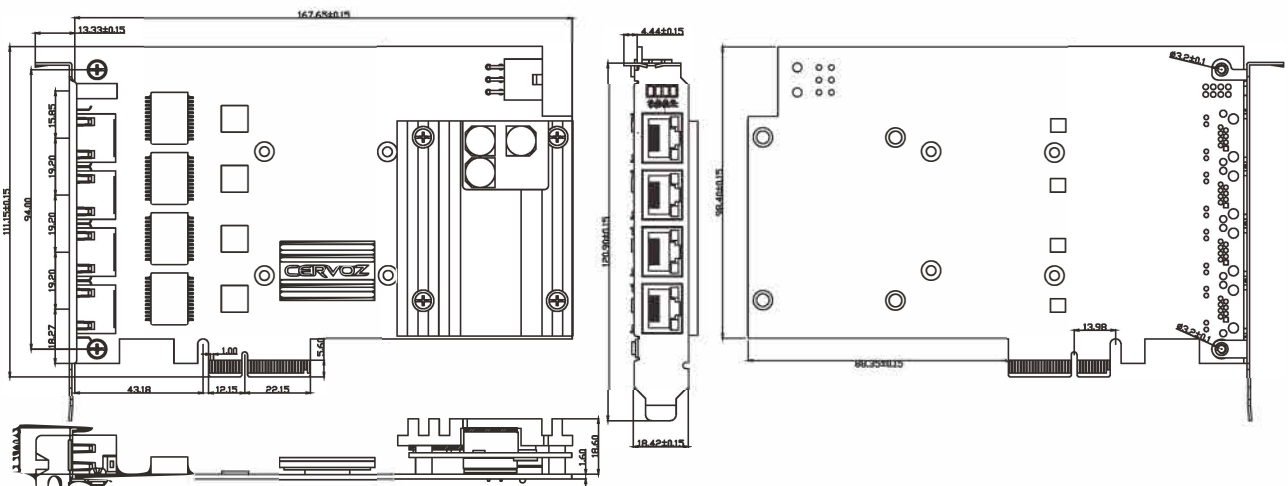
MTBF: 6,329,507 Hours

Dimensions

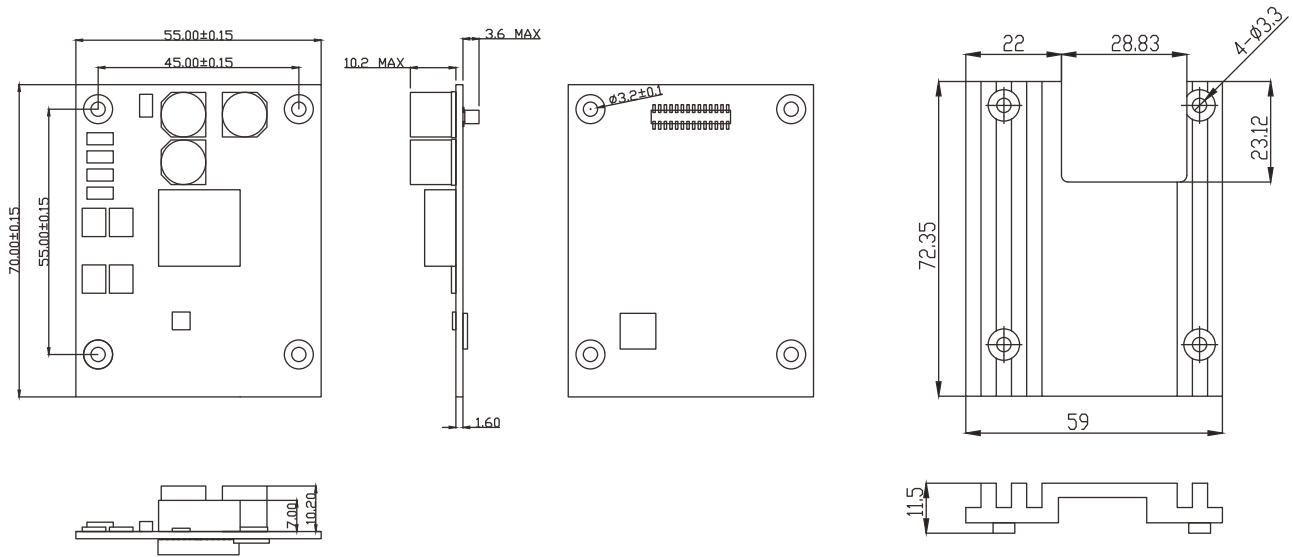
MEC-LAN-P004



MEC-LAN-P004P



PoE+ Module (with Heatsink)



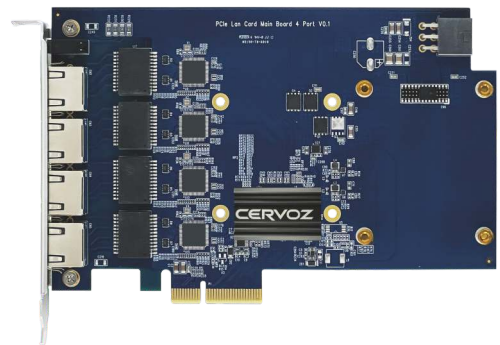
Package Checklist

MEC-LAN-P004

- PCI-e LAN Card x1
- Bracket x1
- Quick Installation Guide (Printed) x1

MEC-LAN-P004P

- PCI-e LAN Card x1
- PoE+ Module (with Heatsink) x1
- Bracket x1
- Quick Installation Guide (Printed) x1



Ordering Information

Available Models

Available Models

MEC-LAN-P004 PCI-e 4 port 10/100/1000 Ethernet card

MEC-LAN-P004P PCI-e 4 port 10/100/1000 Ethernet card with PoE+ Module